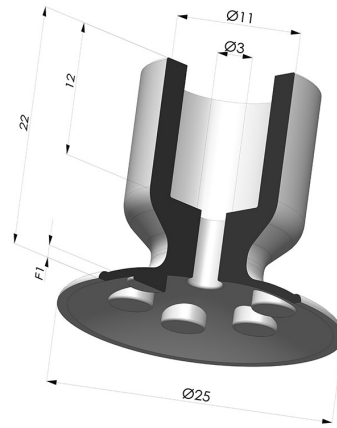


TECHNICAL INFORMATION

Range :	Suction cup
Category :	Plates
Series :	370P
Height (in mm) :	22
Shape :	Plate
Contact lip diameter :	25 mm
inner barrel diameter :	11 mm
Number of bellows :	0.5 Bellows
Outer diameter :	25 mm
Horizontal force :	22 N
Vertical force :	11 N
Arrow :	1 mm



Variants:



Variant reference:

370 P 25TPU A

- Color: Translucent
- Matter: Polyurethane
- Shore Hardness: SH70