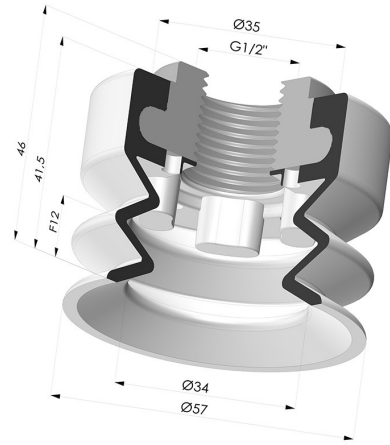
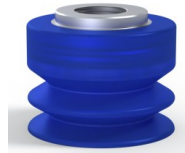


TECHNICAL INFORMATION

Range :	Suction cup
Category :	With bellows
Series :	VCS 1
Height (in mm) :	46
Shape :	1.5 Bellows
Contact lip diameter :	57 mm
inner barrel diameter :	G1/2"
Number of bellows :	1.5 Bellows
Horizontal force :	58 N
Vertical force :	116 N
Arrow :	12 mm



Variants:



Variant reference:

VCS 1 57A

- Color: Blue
- Matter: Vinyl
- Shore Hardness: SH50