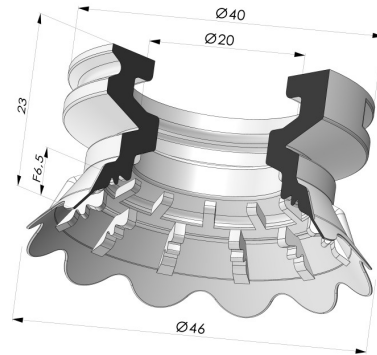


TECHNICAL INFORMATION

- Range :** Suction cup
Category : Plates
Series : 7
Height (in mm) : 23
Shape : Plate
Contact lip diameter : 46 mm
inner barrel diameter : 20 mm
Number of bellows : 0.5 Bellows
Arrow : 6.5 mm



Variants:



Variant reference:
7FP 45SLBLEU A

- Color: Blue food-grade CE certification
- Matter: Silicone
- Shore Hardness: SH60



Variant reference:
7FP 45NR A

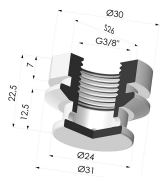
- Color: Gray
- Matter: Natural rubber
- Shore Hardness: SH50



Variant reference:
7FP 45NI A

- Color: Black
- Matter: Nitrile
- Shore Hardness: SH50

Related products:



Detachable fitting female G3/8"

Product reference: 7FP 60 INS F38