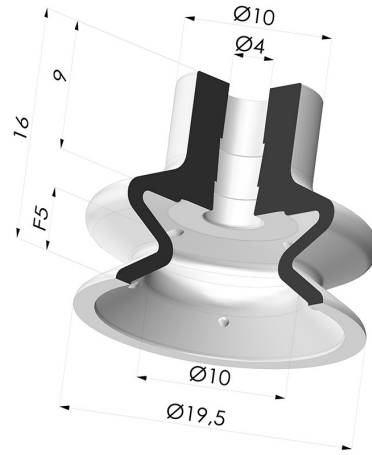


TECHNICAL INFORMATION

- Range :** Suction cup
Category : With bellows
Series : 1
Height (in mm) : 16
Shape : 1.5 Bellows
Contact lip diameter : 19.5 mm - with step
inner barrel diameter : 4 mm
Number of bellows : 1.5 Bellows
Horizontal force : 14 N
Vertical force : 7 N
Volume : 0.98 cm³
Mass : 1.60 g
Arrow : 5 mm



Variants:



Variant reference:
1 20SLT A SPD

- Color: Translucent
- CE food certified
- Matter: Silicone
- Shore Hardness: SH60



Variant reference:
1 20NR A SPD

- Color: Gray
- Matter: Natural rubber
- Shore Hardness: SH50

Related products:

Separable Female Fitting G1/4"
 Product reference: B

Separable Male Fitting G1/4"
 Product reference: C

Separable Female Fitting G1/8"
 Product reference: F

Adaptor - Female G1/4" - Female M6
 Product reference: F14F6

Adaptor - Female 1/8G - Female M6
 Product reference: F18F6

Separable Male Fitting G1/8"
 Product reference: G

Adaptor - Male 1/4G - Female M6
 Product reference: M14F6

Adaptor - Male 1/8G - Female M6
 Product reference: M18F6

Separable Male Fitting M5
 Product reference: M5C11

Separable Male Fitting M6
 Product reference: M6C