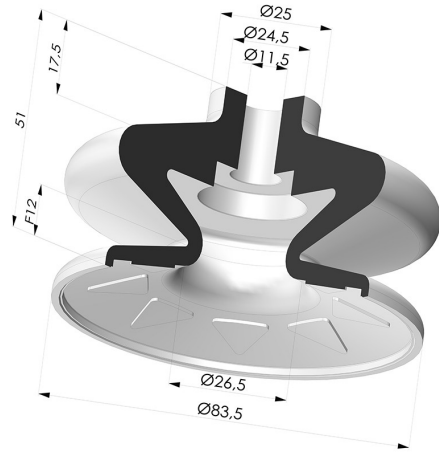


TECHNICAL INFORMATION

- Range :** Suction cup
- Category :** With bellows
- Series :** 1
- Height (in mm) :** 51
- Shape :** 1.5 Bellows
- Contact lip diameter :** 83.5 mm
- inner barrel diameter :** 11.5 mm
- Number of bellows :** 1.5 Bellows
- Horizontal force :** 249 N
- Vertical force :** 124.5 N
- Volume :** 45.64 cm³
- Mass :** 125 g
- Arrow :** 12 mm



Variants:



Variant reference:
1 85SL A

- Color: Red food-grade CE certification
 - Matter: Silicone
- Shore Hardness: SH60



Variant reference:
1 85NI A

- Color: Black
 - Matter: Nitrile
- Shore Hardness: SH50



Variant reference:
1 85SLT A

- Color: Translucent
 - Matter: Silicone
- Shore Hardness: SH60

Material guide:

	Material	Code	Temperature resistance (°C)	Flexibility	Abrasion resistance	UV/Weather resistance	Oil resistance	Food compatibility	Migration test
	Silicone Red food-grade CE certification (Shore SH60)	SL	-60/+250	✓✓✓	✗	✓✓✓	✗	FDA **	A, B, D2
	Nitrile Black (Shore SH50)	NI	-10/+80	✓	✓	✗	✓✓	✗	✗
	Silicone Translucent (Shore SH60)	SL T	-60/+250	✓✓✓	✓	✓✓✓	✓	FDA **	✗

Requests for FDA and/or EC certificates must be made AT THE TIME OF ORDER. Any later request will incur additional charges. To meet the expectations of our industrial customers, NOVACOM offers the widest range of elastomer and thermoplastic materials. We can also develop new materials based on precise specifications, in order to solve specific applications for our customers.

Excellent | Good | Low | Poor | Not recommended
 *FDA and/or EC certificate may be requested for various references at the time of order; please contact us.
 ** Food contact certification: (EC) 1935/2004 - (FDA) 21 CFR 177.2600
 *** Food contact certification: (EC) 10/2011 - (FDA) 21 CFR

Related products:



Adaptor - Female G1/4" - Female G1/8"

Product reference: 301
048



Adaptor - Male 1/4G - Female 1/8G

Product reference: 209
048



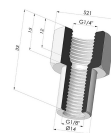
Screw 1/8G - Head Ø 22 mm - L 29.5 mm

Product reference: M18



Screw G1/8" - Head Ø 25 mm - L 21 mm

Product reference:
M18T25L21



Crimped Female Fitting G1/4"

Product reference: N



Crimped Male Fitting G1/4"

Product reference: O



Adaptor - Female G1/8" - Female G1/8"

Product reference: 300
088