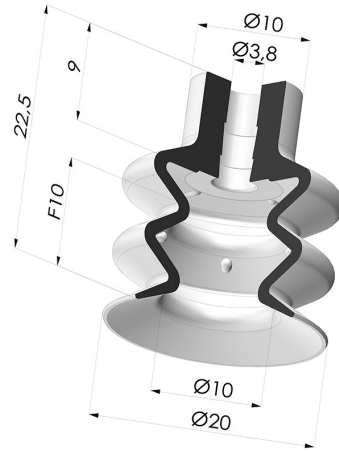
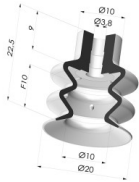


TECHNICAL INFORMATION

- Range :** Suction cup
Category : With bellows
Series : 2
Height (in mm) : 22.5
Shape : 2.5 Bellows
Contact lip diameter : 20 mm
inner barrel diameter : 3.8 mm
Number of bellows : 2.5 Bellows
Horizontal force : 13.9 N
Vertical force : 7 N
Volume : 1.87 cm³
Mass : 2.20 g
Arrow : 10 mm



Variants:



Variant reference:
2 20MNT A

- Color: Bordeaux
- Matter: Non-staining material
- Shore Hardness: SH60



Variant reference:
2 20PU A

- Color: Blue
- Matter: Polyurethane
- Shore Hardness: SH60



Variant reference:
2 20SL A

- Color: Red food-grade CE certification
- Matter: Silicone
- Shore Hardness: SH60



Variant reference:
2 20SLT A

- Color: Translucent
- CE food certified
- Matter: Silicone
- Shore Hardness: SH60



Variant reference:
2 20SLV A

- Color: Green food certification CE
- Matter: Silicone
- Shore Hardness: SH60



Variant reference:
2 20SLBLEU A

- Color: Blue food-grade CE certification
- Matter: Silicone
- Shore Hardness: SH60



Variant reference:
2 20NI A

- Color: Black
- Matter: Nitrile
- Shore Hardness: SH50



Variant reference:
2 20NR A

- Color: Gray
- Matter: Natural rubber
- Shore Hardness: SH50



Variant reference:
2 20SLBLEU A SH30

- Color: Blue food-grade CE certification
- Matter: Silicone
- Shore Hardness: SH30

Related products:



Separable Female Fitting G1/4"

Product reference: B



Separable Male Fitting G1/4"

Product reference: C



Separable Female Fitting G1/8"

Product reference: F



Adaptor - Female G1/4" - Female M6

Product reference: F14F6



Adaptor - Female 1/8G - Female M6

Product reference: F18F6



Separable Male Fitting G1/8"

Product reference: G



Adaptor - Male 1/4G - Female M6

Product reference: M14F6



Adaptor - Male 1/8G - Female M6

Product reference: M18F6



Separable Male Fitting M5

Product reference: M5C11



Separable Male Fitting M6

Product reference: M6C



Separable Male Fitting M5

Product reference: M5C

--