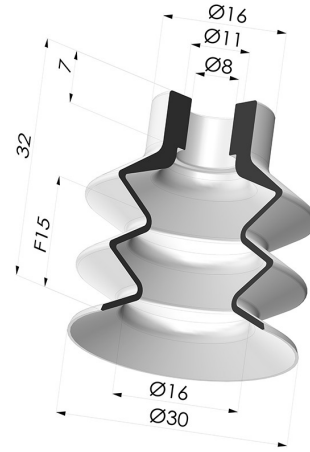
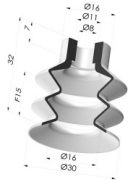


**TECHNICAL INFORMATION**

- Range :** Suction cup  
**Category :** With bellows  
**Series :** 2  
**Height (in mm) :** 32  
**Shape :** 2.5 Bellows  
**Contact lip diameter :** 30 mm  
**inner barrel diameter :** 8 mm  
**Number of bellows :** 2.5 Bellows  
**Horizontal force :** 32 N  
**Vertical force :** 16 N  
**Volume :** 8.18 cm<sup>3</sup>  
**Mass :** 7.20 g  
**Arrow :** 15 mm



**Variants:**



Variant reference:  
**2 30MNT A**

- Color: Bordeaux
- Matter: Non-staining material
- Shore Hardness: SH60



Variant reference:  
**2 30PU A**

- Color: Blue
- Matter: Polyurethane
- Shore Hardness: SH60



Variant reference:  
**2 30SLT A**

- Color: Translucent
- CE food certified
- Matter: Silicone
- Shore Hardness: SH60



Variant reference:  
**2 30SLV A**

- Color: Green food certification CE
- Matter: Silicone
- Shore Hardness: SH60



Variant reference:  
**2 30NI A**

- Color: Black
- Matter: Nitrile
- Shore Hardness: SH50

**Related products:**



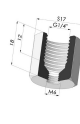
**Separable Female Fitting G1/4"**

Product reference: D



**Separable Male Fitting G1/4"**

Product reference: E



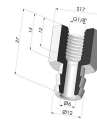
**Adaptor - Female G1/4" - Female M6**

Product reference: F14F6



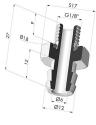
**Adaptor - Female 1/8G - Female M6**

Product reference: F18F6



**Separable Female Fitting G1/8"**

Product reference: H



**Separable Male Fitting G1/8"**

Product reference: I



**Adaptor - Male 1/4G - Female M6**

Product reference: M14F6



**Adaptor - Male 1/8G - Female M6**

Product reference: M18F6



**Screw M6 - Head Ø 11 mm - L 17 mm**

Product reference: M6M25