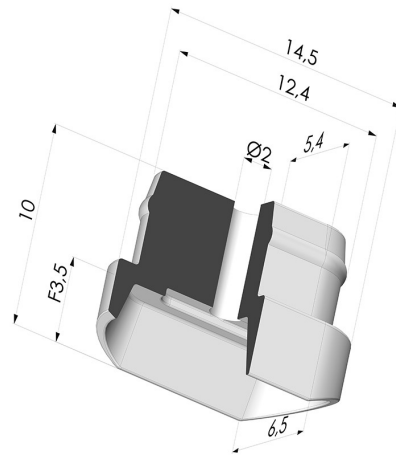


TECHNICAL INFORMATION

Range :	Suction cup
Category :	Oblong
Series :	4
Height (in mm) :	10
Shape :	Oblong
Contact lip diameter :	14.5x6.5 mm
Length :	14.5 mm
Width :	6.5 mm
inner barrel diameter :	2 mm
Number of bellows :	none
Horizontal force :	3.5 N
Vertical force :	1.5 N
Volume :	0.20 cm ³
Arrow :	3.5 mm



Variants:



Variant reference:

4 14EPDM A AM

- Color: Black
- Matter: EPDM
- Shore Hardness: SH40