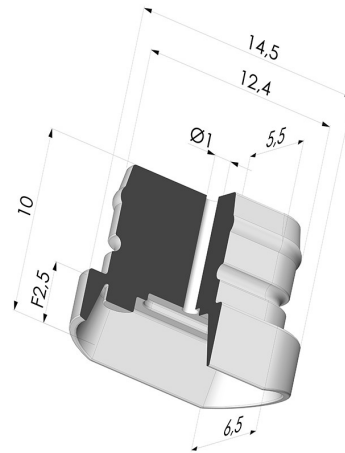


**TECHNICAL INFORMATION**

<b>Range :</b>	Suction cup
<b>Category :</b>	Oblong
<b>Series :</b>	4
<b>Height (in mm) :</b>	10
<b>Shape :</b>	Oblong
<b>Contact lip diameter :</b>	14.5x6.5 mm
<b>Length :</b>	14.5 mm
<b>Width :</b>	6.5 mm
<b>inner barrel diameter :</b>	1 mm
<b>Number of bellows :</b>	none
<b>Horizontal force :</b>	3.5 N
<b>Vertical force :</b>	1.5 N
<b>Volume :</b>	0.19 cm <sup>3</sup>
<b>Mass :</b>	0.70 g
<b>Arrow :</b>	2.5 mm



**Variants:**



Variant reference:

**4 15SL A**

- Color: Red food-grade CE certification
  - Matter: Silicone
- Shore Hardness: SH60