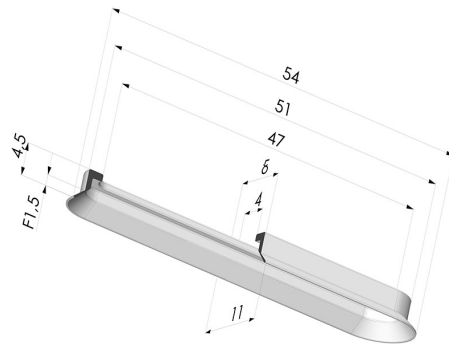


**TECHNICAL INFORMATION**

<b>Range :</b>	Suction cup
<b>Category :</b>	Oblong
<b>Series :</b>	4
<b>Height (in mm) :</b>	4.5
<b>Shape :</b>	Oblong
<b>Contact lip diameter :</b>	54x11 mm
<b>Length :</b>	54 mm
<b>Width :</b>	11 mm
<b>inner barrel diameter :</b>	47x4 mm
<b>Number of bellows :</b>	0.5 Bellows
<b>Horizontal force :</b>	25 N
<b>Vertical force :</b>	12.5 N
<b>Volume :</b>	1.31 cm <sup>3</sup>
<b>Mass :</b>	0.48 g
<b>Arrow :</b>	1.5 mm



**Variants:**



Variant reference:

**4 55SLT A**

- Color: Translucent
- CE food certified
- Matter: Silicone
- Shore Hardness: SH60



Variant reference:

**4 55NI A**

- Color: Black
- Matter: Nitrile
- Shore Hardness: SH50