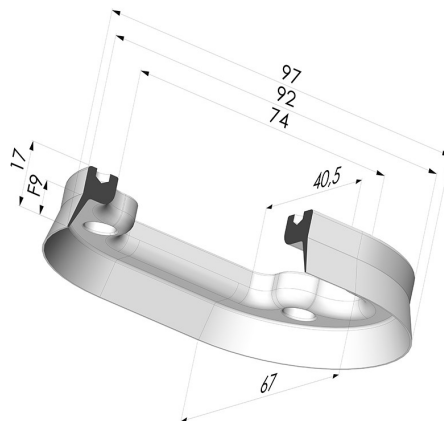


TECHNICAL INFORMATION

Range :	Suction cup
Category :	Oblong
Series :	4
Height (in mm) :	17
Shape :	Oblong
Length :	97 mm
Width :	67 mm
inner barrel diameter :	-
Number of bellows :	0.5 Bellows
Horizontal force :	252 N
Vertical force :	126 N
Volume :	62.27 cm ³
Mass :	36.6 g
Arrow :	9 mm



Variants:



Variant reference:

4 95NI A

- Color: Black
- Matter: Nitrile
- Shore Hardness: SH50