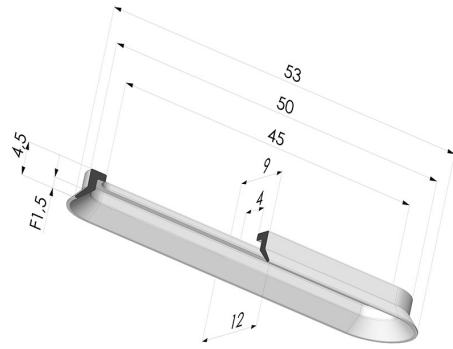


TECHNICAL INFORMATION

Range : Suction cup
Category : Oblong
Series : 4
Height (in mm) : 4.5
Shape : Oblong
Length : 53 mm
Width : 12 mm
inner barrel diameter : 45x4 mm
Number of bellows : 0.5 Bellows
Horizontal force : 25.5 N
Vertical force : 13 N
Volume : 1.29 cm³
Mass : 0.76 g
Arrow : 1.5 mm



Variants:



Variant reference:
40A 55CN A

- Color: Brown FDA food certified
 - Matter: Natural rubber
 - Shore Hardness: SH35



Variant reference:
40A 55SLT A

- Color: Translucent
 - CE food certified
 - Matter: Silicone
- Shore Hardness: SH60



Variant reference:
40A 55NI A

- Color: Black
 - Matter: Nitrile
- Shore Hardness: SH50