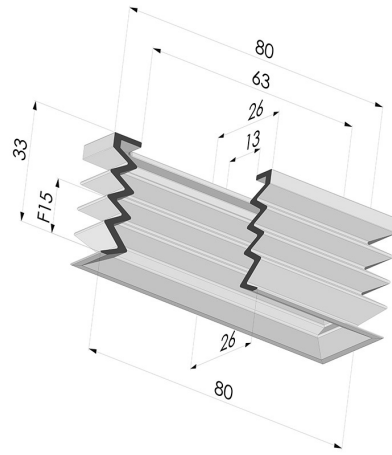


**TECHNICAL INFORMATION**

**Range :** Suction cup  
**Category :** Rectangular  
**Series :** 4PA  
**Height (in mm) :** 33  
**Shape :** Rectangular  
**Length :** 80  
**Width :** 26  
**inner barrel diameter :** 63x13  
**Number of bellows :** 3.5 Bellows  
**Horizontal force :** 92 N  
**Vertical force :** 46 N  
**Volume :** 34.43 cm<sup>3</sup>  
**Mass :** 22.4 g  
**Arrow :** 15 mm

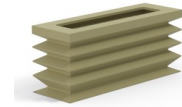


**Variants:**



Variant reference:  
**4PA80 26 33SLB A**

- Color: Blue food-grade CE certification
  - Matter: Silicone
  - Shore Hardness: SH30



Variant reference:  
**4PA80 26 33CN A**

- Color: Brown FDA food certified
  - Matter: Natural rubber
  - Shore Hardness: SH35