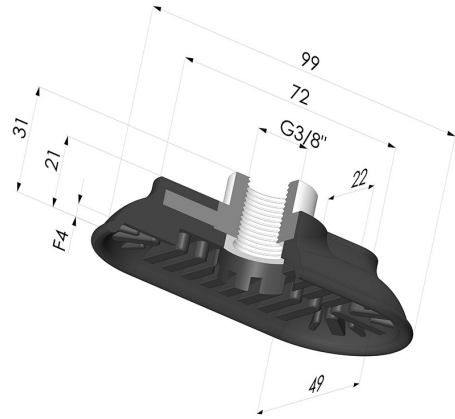
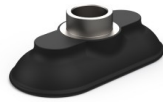


TECHNICAL INFORMATION

Range :	Suction cup
Category :	Oblong
Series :	4R
Height (in mm) :	31
Shape :	Oblong
Length :	99 mm
Width :	49 mm
inner barrel diameter :	Female G3/8"
Number of bellows :	0.5 Bellows
Horizontal force :	180 N
Vertical force :	90 N
Arrow :	4 mm



Variants:



Variant reference:

4R 100NI F38

- Color: Black
- Matter: Nitrile
- Shore Hardness: SH50