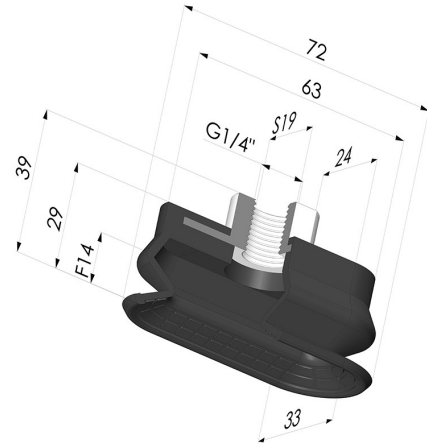
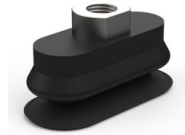


**TECHNICAL INFORMATION**

<b>Range :</b>	Suction cup
<b>Category :</b>	Oblong
<b>Series :</b>	4R
<b>Height (in mm) :</b>	39
<b>Shape :</b>	Oblong 1.5 Bellows
<b>Length :</b>	72 mm
<b>Width :</b>	33 mm
<b>inner barrel diameter :</b>	Female G1/4"
<b>Number of bellows :</b>	1.5 Bellows
<b>Horizontal force :</b>	81 N
<b>Vertical force :</b>	40 N
<b>Arrow :</b>	14 mm



**Variants:**



Variant reference:

**4R 70NI F14**

- Color: Black
- Matter: Nitrile
- Shore Hardness: SH50

**Related products:**



**Screw G1/4" - Head Ø 19 mm - L 28 mm**

Product reference: M14T19L28