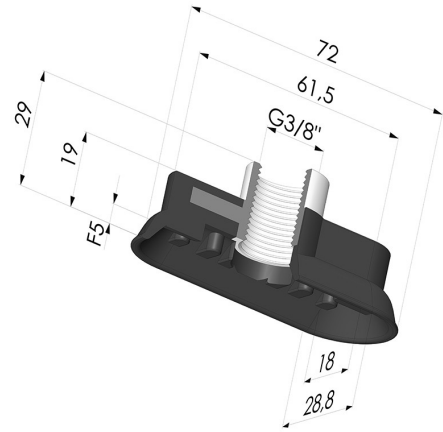
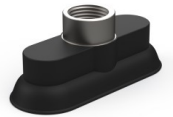


TECHNICAL INFORMATION

Range :	Suction cup
Category :	Oblong
Series :	4R
Height (in mm) :	29
Shape :	Oblong
Length :	72 mm
Width :	28.8 mm
inner barrel diameter :	Female G3/8"
Number of bellows :	0.5 Bellows
Horizontal force :	82 N
Vertical force :	41 N
Arrow :	5 mm



Variants:



Variant reference:

4R 75NI F38

- Color: Black
- Matter: Nitrile
- Shore Hardness: SH50