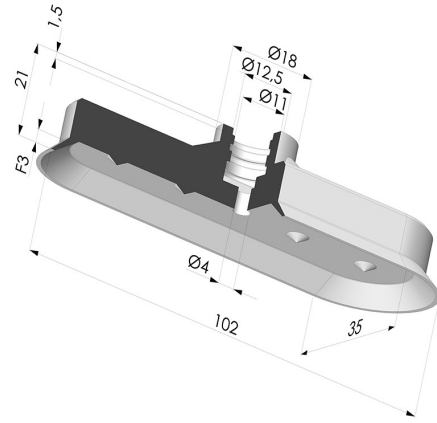


TECHNICAL INFORMATION

- Range :** Suction cup
Category : Oblong
Series : 4V
Height (in mm) : 21
Shape : Oblong
Length : 102 mm
Width : 35 mm
inner barrel diameter : 11 mm
Number of bellows : 0.5 Bellows
Horizontal force : 147.19 N
Vertical force : 73.59 N
Volume : 9.76 cm³
Mass : 33.8 g
Arrow : 3 mm



Variants:



- Variant reference:
4V 100NI A
- Color: Black
 - Matter: Nitrile
 - Shore Hardness: SH70






- Variant reference:
4V 100SLT A
- Color: Translucent
 - CE food certified
 - Matter: Silicone
 - Shore Hardness: SH60



- Variant reference:
4V 100MNT A
- Color: Bordeaux
 - Matter: Non-staining material for plastics processing
 - Shore Hardness: SH60

Material guide:

	Material	Code	Temperature resistance (°C)	Flexibility	Abrasion resistance	UV/Weather resistance	Oil resistance	Food compatibility	Migration test
	Nitrile Black (Shore SH70)	NI	-10/+80	✓	✓	✗	✓✓	✗	✗
	Silicone Translucent (Shore SH60)	SL T	-60/+250	✓✓✓	✓	✓✓✓	✓	FDA  **	✗

Requests for FDA and/or EC certificates must be made AT THE TIME OF ORDER. Any later request will incur additional charges. To meet the expectations of our industrial customers, NOVACOM offers the widest range of elastomer and thermoplastic materials. We can also develop new materials based on precise specifications, in order to solve specific applications for our customers.

 Excellent |
  Good |
  Low |
  Poor |
  Not recommended
 *FDA and/or EC certificate may be requested for various references at the time of order; please contact us.
 ** Food contact certification: (EC) 1935/2004 - (FDA) 21 CFR 177.2600
 *** Food contact certification: (EC) 10/2011 - (FDA) 21 CFR

Related products:



Separable Female Fitting 1/4G
 Product reference: F14C



Separable Male Fitting G1/4"
 Product reference: M14C



Clamp Ø 15-18 mm
 Product reference: CO 1518