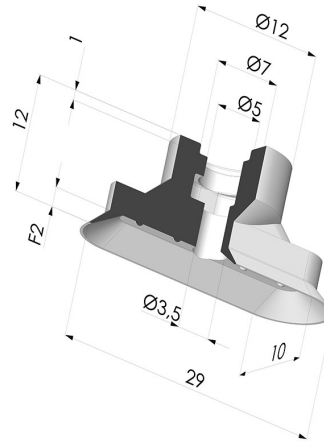
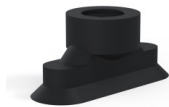


**TECHNICAL INFORMATION**

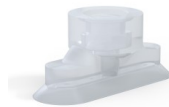
**Range :** Suction cup  
**Category :** Oblong  
**Series :** 4V  
**Height (in mm) :** 12  
**Shape :** Oblong  
**inner barrel diameter :** 5 mm  
**Number of bellows :** 0.5 Bellows  
**Horizontal force :** 11.76 N  
**Vertical force :** 5.88 N  
**Volume :** 0.33 cm<sup>3</sup>  
**Mass :** 1.5 g  
**Arrow :** 2 mm



**Variants:**



Variant reference:  
**4V 30NI A**  
 • Color: Black  
 • Matter: Nitrile  
 • Shore Hardness: SH70



Variant reference:  
**4V 30SLT A**  
 • Color: Translucent  
 • CE food certified  
 • Matter: Silicone  
 • Shore Hardness: SH60



Variant reference:  
**4V 30MNT A**  
 • Color: Bordeaux  
 • Matter: Non-staining material for plastics processing  
 • Shore Hardness: SH60

**Related products:**



**Separable Female Fitting 1/4G**

Product reference:  
 F14CV



**Separable Female Fitting 1/8G**

Product reference:  
 F18CV



**Separable Male Fitting 1/8G**

Product reference:  
 M18CV



**Separable Male Fitting M5**

Product reference:  
 M5CV



**Clamp Ø 11-13 mm**

Product reference: CO  
 1113