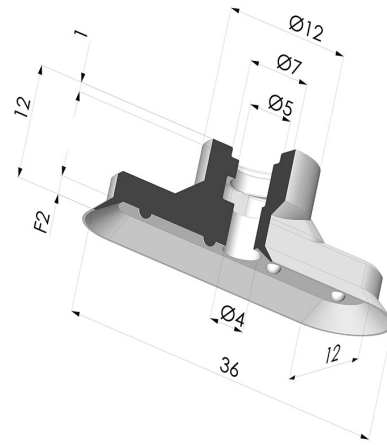
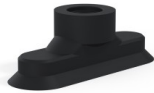


TECHNICAL INFORMATION

- Range :** Suction cup
Category : Oblong
Series : 4V
Height (in mm) : 12
Shape : Oblong
Length : 36 mm
Width : 12 mm
inner barrel diameter : 5 mm
Number of bellows : 0.5 Bellows
Horizontal force : 18.24 N
Vertical force : 9.12 N
Volume : 0.58 cm³
Mass : 2 g
Arrow : 2 mm



Variants:



Variant reference:

4V 36NI A

- Color: Black
- Matter: Nitrile
- Shore Hardness: SH70



Variant reference:

4V 36SLT A

- Color: Translucent
- CE food certified
- Matter: Silicone
- Shore Hardness: SH60






Variant reference:

4V 36MNT A

- Color: Bordeaux
- Matter: Non-staining material for plastics processing
- Shore Hardness: SH60

Material guide:

	Material	Code	Temperature resistance (°C)	Flexibility	Abrasion resistance	UV/Weather resistance	Oil resistance	Food compatibility	Migration test
	Nitrile Black (Shore SH70)	NI	-10/+80	✓	✓	✗	✓✓	✗	✗
	Silicone Translucent (Shore SH60)	SL T	-60/+250	✓✓✓	✓	✓✓✓	✓	FDA  **	✗

Requests for FDA and/or EC certificates must be made AT THE TIME OF ORDER. Any later request will incur additional charges. To meet the expectations of our industrial customers, NOVACOM offers the widest range of elastomer and thermoplastic materials. We can also develop new materials based on precise specifications, in order to solve specific applications for our customers.

 Excellent |
  Good |
  Low |
  Poor |
  Not recommended

*FDA and/or EC certificate may be requested for various references at the time of order; please contact us.

** Food contact certification: (EC) 1935/2004 - (FDA) 21 CFR 177.2600

*** Food contact certification: (EC) 10/2011 - (FDA) 21 CFR

Related products:



Separable Female Fitting 1/4G

Product reference:
F14CV



Separable Female Fitting 1/8G

Product reference:
F18CV



Separable Male Fitting 1/8G

Product reference:
M18CV



Separable Male Fitting M5

Product reference:
M5CV



Clamp Ø 11-13 mm

Product reference: CO
1113