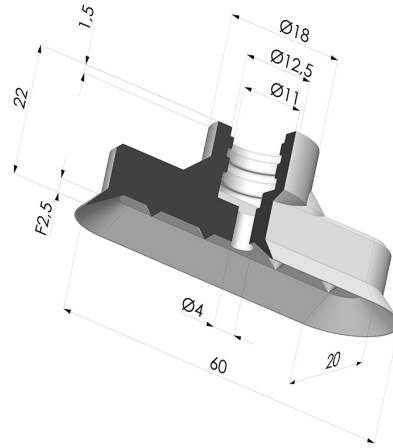
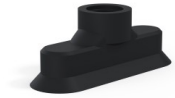


TECHNICAL INFORMATION

Range :	Suction cup
Category :	Oblong
Series :	4V
Height (in mm) :	22
Shape :	Oblong
Length :	60 mm
Width :	20 mm
inner barrel diameter :	11 mm
Number of bellows :	0.5 Bellows
Horizontal force :	50.66 N
Vertical force :	25.33 N
Volume :	2.94 cm ³
Mass :	9.6 g
Arrow :	2.5 mm



Variants:



Variant reference:

4V 60NI A

- Color: Black
- Matter: Nitrile
- Shore Hardness: SH70



Variant reference:

4V 60SLT A

- Color: Translucent
- CE food certified
- Matter: Silicone
- Shore Hardness: SH60



Variant reference:

4V 60MNT A

- Color: Bordeaux
- Matter: Non-staining material for plastics processing
- Shore Hardness: SH60

Related products:



**Separable Female Fitting
1/4G**

Product reference: F14C



**Separable Male Fitting
G1/4"**

Product reference: M14C



Clamp Ø 15-18 mm

Product reference: CO 1518



**Separable Male Fitting
G1/8"**

Product reference: M18C