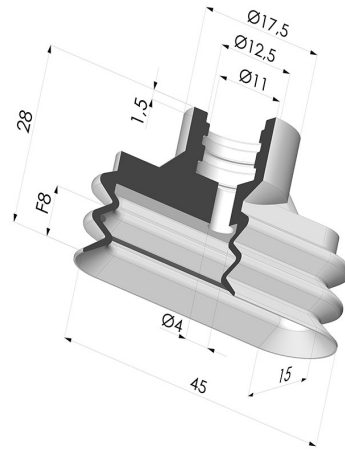


TECHNICAL INFORMATION

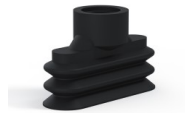
- Range :** Suction cup
- Category :** Oblong
- Series :** 4VS
- Height (in mm) :** 28
- Shape :** Oblong 2.5 Bellows
- Length :** 45
- Width :** 15
- inner barrel diameter :** 11
- Number of bellows :** 2.5 Bellows
- Horizontal force :** 28.5 N
- Vertical force :** 14.25 N
- Volume :** 3.9 cm³
- Mass :** 9.5 g
- Arrow :** 8.00 F



Variants:



- Variant reference:
4VS 45SLT A
- Color: Translucent
 - CE food certified
 - Matter: Silicone
 - Shore Hardness: SH60



- Variant reference:
4VS 45NI A
- Color: Black
 - Matter: Nitrile
 - Shore Hardness: SH50



- Variant reference:
4VS 45MNT A
- Color: Bordeaux
 - Matter: Non-staining material
 - Shore Hardness: SH60

Material guide:

	Material	Code	Temperature resistance (°C)	Flexibility	Abrasion resistance	UV/Weather resistance	Oil resistance	Food compatibility	Migration test
	Silicone Translucent (Shore SH60)	SL T	-60/+250	✓✓✓	✓	✓✓✓	✓	FDA **	✗
	Nitrile Black (Shore SH50)	NI	-10/+80	✓	✓	✗	✓✓	✗	✗
	Non-staining material Bordeaux (Shore SH60)	MNT	-20/+160	✓	✓	✓✓✓	✓✓✓	✗	✗

Requests for FDA and/or EC certificates must be made AT THE TIME OF ORDER. Any later request will incur additional charges. To meet the expectations of our industrial customers, NOVACOM offers the widest range of elastomer and thermoplastic materials. We can also develop new materials based on precise specifications, in order to solve specific applications for our customers.

Excellent | Good | Low | Poor | Not recommended
 *FDA and/or EC certificate may be requested for various references at the time of order; please contact us.
 ** Food contact certification: (EC) 1935/2004 - (FDA) 21 CFR 177.2600
 *** Food contact certification: (EC) 10/2011 - (FDA) 21 CFR

Related products:



Separable Female Fitting 1/4G

Product reference: F14C



Separable Male Fitting G1/4"

Product reference: M14C



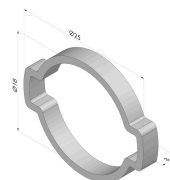
Separable Male Fitting G1/8"

Product reference: M18C



Ring for oblong suction cup series 4VS 45

Product reference: 4VS 45 JONC



Clamps for oblong suction cups 4VS 45 and 4VS 75 series

Product reference: 4VS C 20