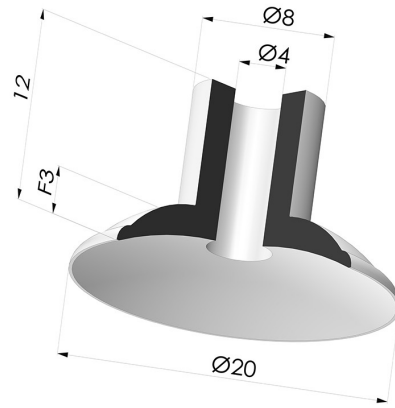


TECHNICAL INFORMATION

- Range :** Suction cup
Category : Plates
Series : 5
Height (in mm) : 12
Shape : Plate
Contact lip diameter : 20 mm
inner barrel diameter : 4 mm
Number of bellows : 0.5 Bellows
Horizontal force : 14.28 N
Vertical force : 7.14 N
Arrow : 3mm



Variants:



Variant reference:

5 20SLB A

- Color: White
- FDA and CE food-grade certified
- Matter: Silicone
- Shore Hardness: SH40



Variant reference:

5 20CN A

- Color: Brown FDA food certified
- Matter: Natural rubber
- Shore Hardness: SH40



Variant reference:

5 20NI A

- Color: Black
- Matter: Nitrile
- Shore Hardness: SH50



Variant reference:

5 20SLT A

- Color: Translucent
- CE food certified
- Matter: Silicone
- Shore Hardness: SH60

Related products:



Separable Male Fitting M5

Product reference: 9MM5



Separable Female Fitting G1/8"

Product reference: F18C12L20



Separable Male Fitting G1/8"

Product reference: M18C12L20



Screw M4 - Head Ø 8 mm - L 16.5 mm

Product reference: M4T8L16.5