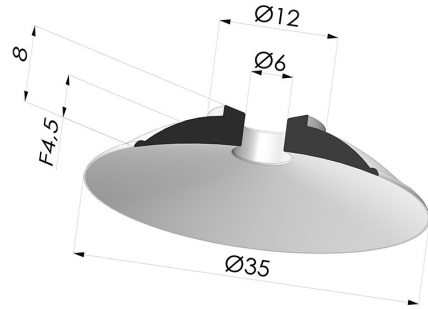


TECHNICAL INFORMATION

- Range :** Suction cup
Category : Plates
Series : 5
Height (in mm) : 8
Shape : Plate
Contact lip diameter : 35 mm
inner barrel diameter : 6 mm
Number of bellows : 0.5 Bellows
Horizontal force : 43.72 N
Vertical force : 21.86 N
Arrow : 5mm



Variants:



Variant reference:
5 35CN A

- Color: Brown FDA food certified
- Matter: Natural rubber
- Shore Hardness: SH40



Variant reference:
5 35SLT A

- Color: Translucent
- CE food certified
- Matter: Silicone
- Shore Hardness: SH60



Variant reference:
5 35SLB A

- Color: White
- FDA and CE food-grade certified
- Matter: Silicone
- Shore Hardness: SH40



Variant reference:
5 35NI A

- Color: Black
- Matter: Nitrile
- Shore Hardness: SH50

Related products:



**Adaptor - Female
 G1/4" - Female M6**

Product reference:
 F14F6



**Adaptor - Female
 1/8G - Female M6**

Product reference:
 F18F6



**Adaptor - Male 1/4G
 - Female M6**

Product reference:
 M14F6



**Adaptor - Male 1/8G
 - Female M6**

Product reference:
 M18F6



**Screw M6 - Head Ø
 12 mm - L 15 mm**

Product reference:
 M6T12L15