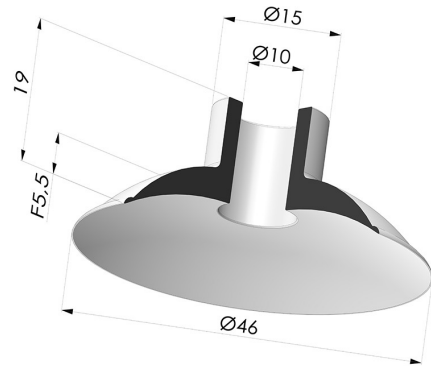


**TECHNICAL INFORMATION**

- Range :** Suction cup  
**Category :** Plates  
**Series :** 5  
**Height (in mm) :** 19  
**Shape :** Plate  
**Contact lip diameter :** 46 mm  
**inner barrel diameter :** 10 mm  
**Number of bellows :** 0.5 Bellows  
**Horizontal force :** 75.5 N  
**Vertical force :** 37 N  
**Arrow :** 5.5mm



**Variants:**



Variant reference:  
**5 46CN A**

- Color: Brown FDA food certified
- Matter: Natural rubber
- Shore Hardness: SH40



Variant reference:  
**5 46SLB A**

- Color: White
- FDA and CE food-grade certified
- Matter: Silicone
- Shore Hardness: SH40



Variant reference:  
**5 46NI A**

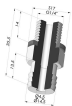
- Color: Black
- Matter: Nitrile
- Shore Hardness: SH50



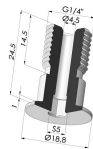
Variant reference:  
**5 46SLT A**

- Color: Translucent
- CE food certified
- Matter: Silicone
- Shore Hardness: SH60

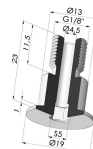
**Related products:**



**Separable Male Fitting G1/4"**  
 Product reference: M14C17L35.5



**Screw G1/4" - Head Ø 19 mm - L 24.5 mm**  
 Product reference: M14T19L24.5



**Screw G1/8" - Head Ø 19 mm - L 23 mm**  
 Product reference: M18T19L23.5