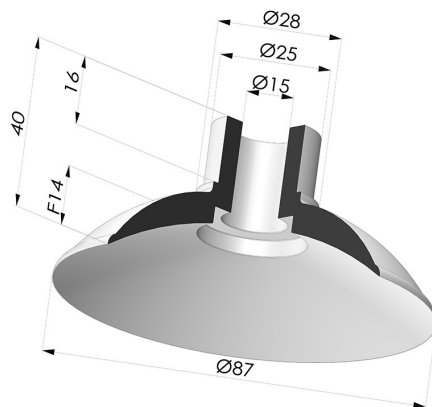


TECHNICAL INFORMATION

- Range :** Suction cup
Category : Plates
Series : 5
Height (in mm) : 40
Shape : Plate
Contact lip diameter : 87 mm
inner barrel diameter : 15 mm
Number of bellows : 0.5 Bellows
Horizontal force : 270 N
Vertical force : 135 N
Arrow : 14mm



Variants:



Variant reference:
5 87CN A

- Color: Brown FDA food certified
- Matter: Natural rubber
- Shore Hardness: SH35



Variant reference:
5 87SLT A

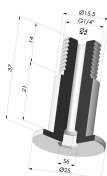
- Color: Translucent
- CE food certified
- Matter: Silicone
- Shore Hardness: SH60



Variant reference:
5 87NI A

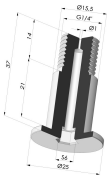
- Color: Black
- Matter: Nitrile
- Shore Hardness: SH50

Related products:



Screw G1/4" - Head Ø 25 mm - L 37 mm

Product reference: M14T25L37



Screw G1/4" - Head Ø 25 mm - L 37 mm

Product reference: M14T25L37 SPF 1



Screw G1/8" - Head Ø 25 mm - L 37 mm

Product reference: M18T25L37