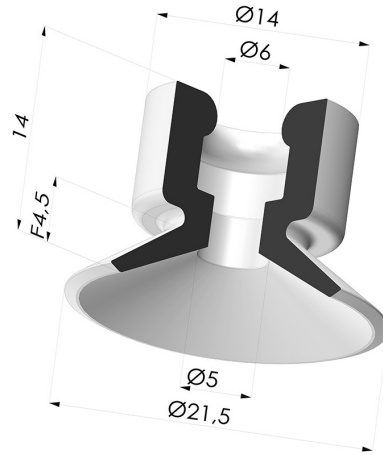


TECHNICAL INFORMATION

Range :	Suction cup
Category :	Plates
Series :	7
Height (in mm) :	14
Shape :	Plate
Contact lip diameter :	21.5 mm
inner barrel diameter :	6 mm
Number of bellows :	0.5 Bellows
Horizontal force :	13.5 N
Vertical force :	6.5 N
Volume cm³ :	0.57
Arrow :	4.5 mm



Variants:



Variant reference:

7 20NI A

- Color: Black
- Matter: Nitrile
- Shore Hardness: SH50



Variant reference:

7 20PARA A

- Color: Red
- Matter: Natural rubber
- Shore Hardness: SH60



Variant reference:

7 20TPU A SH50

- Color: Translucent
- Matter: Thermoplastic
- Shore Hardness: SH50



Variant reference:

7 20TPUB A

- Color: Blue
- Matter: Thermoplastic
- Shore Hardness: SH70