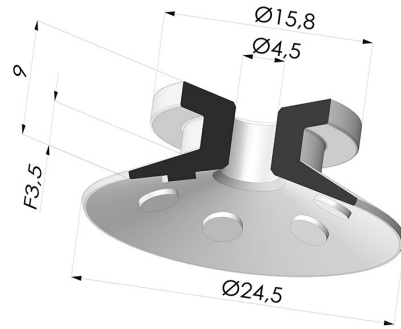


**TECHNICAL INFORMATION**

<b>Range :</b>	Suction cup
<b>Category :</b>	Plates
<b>Series :</b>	7
<b>Height (in mm) :</b>	9
<b>Shape :</b>	Plate
<b>Contact lip diameter :</b>	24.5 mm
<b>inner barrel diameter :</b>	4.5 mm
<b>Number of bellows :</b>	0.5 Bellows
<b>Horizontal force :</b>	20 N
<b>Vertical force :</b>	10 N
<b>Arrow :</b>	3.5 mm

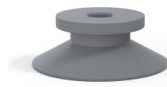


**Variants:**



Variant reference:  
**7 25SL A**

- Color: Red food-grade CE certification
- Matter: Silicone
- Shore Hardness: SH60



Variant reference:  
**7 25NR A**

- Color: Gray
- Matter: Natural rubber
- Shore Hardness: SH50



Variant reference:  
**7 25NI A**

- Color: Black
- Matter: Nitrile
- Shore Hardness: SH50

**Related products:**



**Separable Male Fitting M5**

Product reference: M5C8