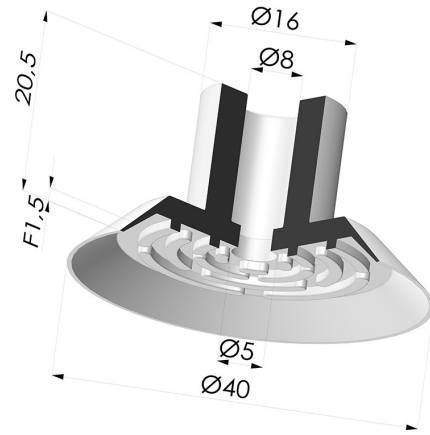


TECHNICAL INFORMATION

- Range :** Suction cup
Category : Plates
Series : 7
Height (in mm) : 20.5
Shape : Plate
Contact lip diameter : 40 mm
inner barrel diameter : 8 mm
Number of bellows : 0.5 Bellows
Horizontal force : 57 N
Vertical force : 28.5 N
Arrow : 1.5 mm

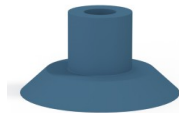


Variants:



Variant reference:
7 40CN A

- Color: Brown FDA food certified
- Matter: Natural rubber
- Shore Hardness: SH40



Variant reference:
7 40SLDB A

- Color: Blue
- Matter: Detectable silicone
- Shore Hardness: SH40



Variant reference:
7 40MNT A

- Color: Bordeaux
- Matter: Non-staining material
- Shore Hardness: SH60



Variant reference:
7 40SLN A AS

- Color: Black
- Matter: Silicone
- Shore Hardness: SH60



Variant reference:
7 40NI A

- Color: Black
- Matter: Nitrile
- Shore Hardness: SH50



Variant reference:
7 40SLT A

- Color: Translucent
- CE food certified
- Matter: Silicone
- Shore Hardness: SH60

Related products:

Separable Female Fitting G1/4"
 Product reference: D

Separable Male Fitting G1/4"
 Product reference: E

Separable Female Fitting G1/8"
 Product reference: H

Separable Male Fitting G1/8"
 Product reference: I