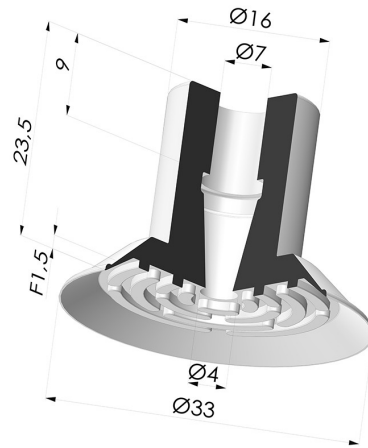


TECHNICAL INFORMATION

Range :	Suction cup
Category :	Plates
Series :	7
Height (in mm) :	23.5
Shape :	Plate
Contact lip diameter :	33 mm
inner barrel diameter :	7 mm
Number of bellows :	0.5 Bellows
Horizontal force :	39 N
Vertical force :	19.5 N
Arrow :	1.5 mm



Variants:



Variant reference:
70 30SLT A

- Color: Translucent
- CE food certified
- Matter: Silicone
- Shore Hardness: SH60



Variant reference:
70 30CN A

- Color: Blue
- Matter: Natural rubber
- Shore Hardness: SH50

Related products:



Separable Female Fitting G1/8"

Product reference: F18C12L22.5



Separable Male Fitting G1/8"

Product reference: M18C12L22.5



Separable Male Fitting M5

Product reference: M5C12