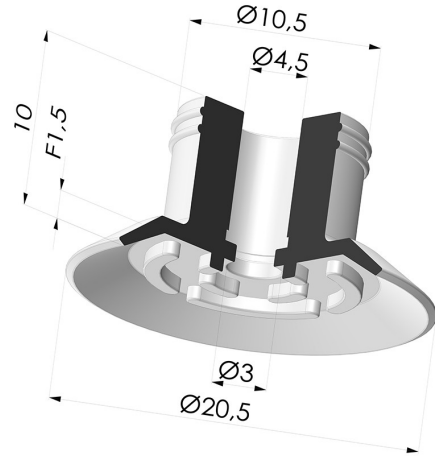


TECHNICAL INFORMATION

- Range :** Suction cup
- Category :** Plates
- Series :** 70S
- Height (in mm) :** 10
- Shape :** Plate
- Contact lip diameter :** 20.5 mm
- inner barrel diameter :** 4.5 mm
- Number of bellows :** 0.5 Bellows
- Horizontal force :** 14 N
- Vertical force :** 7 N
- Arrow :** 1.5 mm



Variants:



Variant reference:
70S 20CN A

- Color: Brown FDA food certified
- Matter: Natural rubber
- Shore Hardness: SH40



Variant reference:
70S 20SLT A

- Color: Translucent
- CE food certified
- Matter: Silicone
- Shore Hardness: SH60

Material guide:

	Material	Code	Temperature resistance (°C)	Flexibility	Abrasion resistance	UV/Weather resistance	Oil resistance	Food compatibility	Migration test
	Silicone Translucent (Shore SH60)	SL T	-60/+250	✓✓✓	✓	✓✓✓	✓	FDA **	✗

✓✓✓ Excellent | ✓✓ Good | ✓ Low | ✗ Poor | ✗✗ Not recommended

*FDA and/or EC certificate may be requested for various references at the time of order; please contact us.

** Food contact certification: (EC) 1935/2004 - (FDA) 21 CFR 177.2600

*** Food contact certification: (EC) 10/2011 - (FDA) 21 CFR

Requests for FDA and/or EC certificates must be made AT THE TIME OF ORDER. Any later request will incur additional charges. To meet the expectations of our industrial customers, NOVACOM offers the widest range of elastomer and thermoplastic materials. We can also develop new materials based on precise specifications, in order to solve specific applications for our customers.

Related products:



Separable Male Fitting M6

Product reference: M6C



Separable Male Fitting M5

Product reference: M5C --