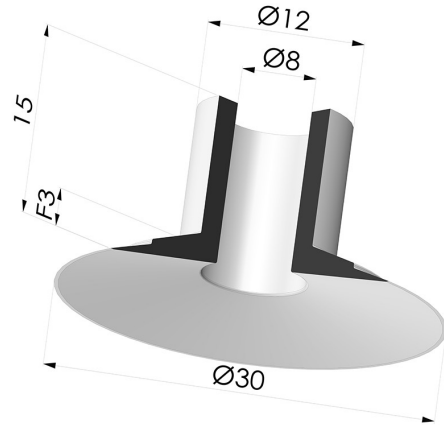


TECHNICAL INFORMATION

Range :	Suction cup
Category :	Plates
Series :	7
Height (in mm) :	15
Shape :	Plate
Contact lip diameter :	30 mm
inner barrel diameter :	8 mm
Number of bellows :	0.5 Bellows
Horizontal force :	32 N
Vertical force :	11 N
Arrow :	3 mm



Variants:



Variant reference:
71 30CN A

- Color: Brown FDA food certified
- Matter: Natural rubber
- Shore Hardness: SH40



Variant reference:
71 30NI A

- Color: Black
- Matter: Nitrile

Related products:



Separable Female Fitting G1/4"

Product reference: DS



Separable Male Fitting G1/4"

Product reference: ES