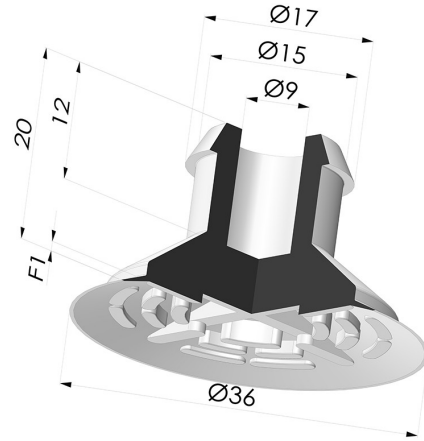


TECHNICAL INFORMATION

Range :	Suction cup
Category :	Plates
Series :	7
Height (in mm) :	20
Shape :	Plate
Contact lip diameter :	36 mm
inner barrel diameter :	9 mm
Number of bellows :	0.5 Bellows
Horizontal force :	46 N
Vertical force :	23 N
Arrow :	1 mm



Variants:



Variant reference:
71 36CN A

- Color: Brown FDA food certified
- Matter: Natural rubber
- Shore Hardness: SH35



Variant reference:
71 36SLT A

- Color: Translucent
- CE food certified
- Matter: Silicone
- Shore Hardness: SH60

Related products:



Separable Female Fitting G1/4"

Product reference: DS



Separable Male Fitting G1/4"

Product reference: ES