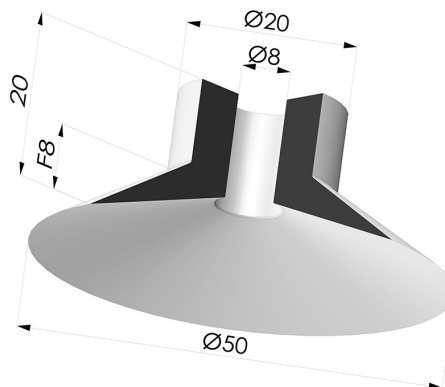


TECHNICAL INFORMATION

- Range :** Suction cup
Category : Plates
Series : 7
Height (in mm) : 20
Shape : Plate
Contact lip diameter : 50 mm
inner barrel diameter : 8 mm
Number of bellows : 0.5 Bellows
Horizontal force : 89 N
Vertical force : 44.5 N
Arrow : 8 mm



Variants:



Variant reference:
71 50CN A

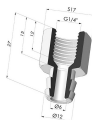
- Color: Brown
- Matter: Natural rubber
- Shore Hardness: SH40



Variant reference:
71 50SLT A

- Color: Translucent
- Matter: Silicone

Related products:



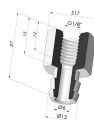
Separable Female Fitting G1/4"

Product reference: D



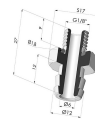
Separable Male Fitting G1/4"

Product reference: E



Separable Female Fitting G1/8"

Product reference: H



Separable Male Fitting G1/8"

Product reference: I



Separable Male Fitting M6

Product reference: M6C17