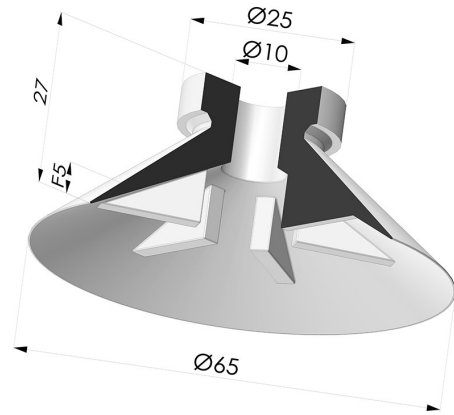


**TECHNICAL INFORMATION**

<b>Range :</b>	Suction cup
<b>Category :</b>	Plates
<b>Series :</b>	7
<b>Height (in mm) :</b>	27
<b>Shape :</b>	Plate
<b>Contact lip diameter :</b>	65 mm
<b>inner barrel diameter :</b>	10 mm
<b>Number of bellows :</b>	0.5 Bellows
<b>Horizontal force :</b>	150 N
<b>Vertical force :</b>	75 N
<b>Arrow :</b>	5 mm



**Variants:**



Variant reference:  
**71 65CN A**

- Color: Brown FDA food certified
- Matter: Natural rubber



Variant reference:  
**71 65NI A**

- Color: Black
- Matter: Nitrile



Variant reference:  
**71 65SLT A**

- Color: Translucent
- CE food certified
- Matter: Silicone