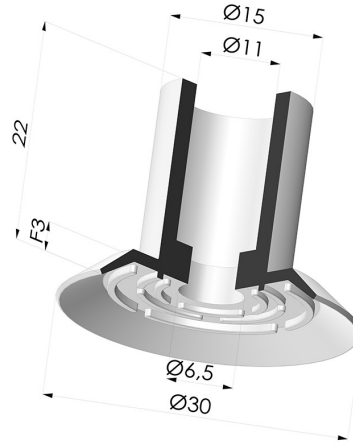


TECHNICAL INFORMATION

- Range :** Suction cup
Category : Plates
Series : 7
Height (in mm) : 22
Shape : Plate
Contact lip diameter : 30 mm
inner barrel diameter : 11 mm
Number of bellows : 0.5 Bellows
Horizontal force : 31 N
Vertical force : 15.5 N
Arrow : 3 mm



Variants:



Variant reference:
72 30CN A

- Color: Brown FDA food certified
- Matter: Natural rubber
- Shore Hardness: SH35



Variant reference:
72 30NI A

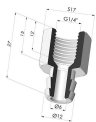
- Color: Black
- Matter: Nitrile



Variant reference:
72 30SLT A

- Color: Translucent
- CE food certified
- Matter: Silicone

Related products:



**Separable Female Fitting
 G1/4"**

Product reference: D



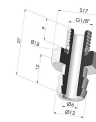
**Separable Male Fitting
 G1/4"**

Product reference: E



**Separable Female Fitting
 G1/8"**

Product reference: H



**Separable Male Fitting
 G1/8"**

Product reference: I