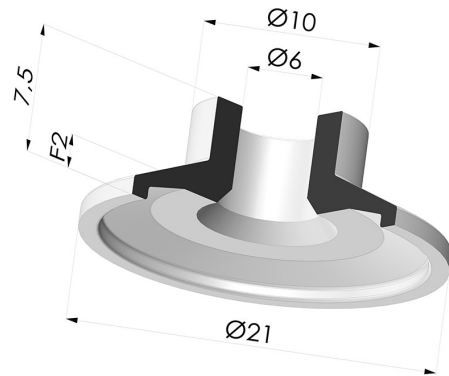


TECHNICAL INFORMATION

Range :	Suction cup
Category :	Plates
Series :	7
Height (in mm) :	7.5
Shape :	Plate
Contact lip diameter :	21 mm
Top diameter :	6 mm
inner barrel diameter :	6 mm
Number of bellows :	0.5 Bellows
Horizontal force :	16 N
Vertical force :	8 N
Arrow :	2 mm



Variants:



Variant reference:

72A 21CN A

- Color: Brown FDA food certified
 - Matter: Natural rubber
 - Shore Hardness: SH35