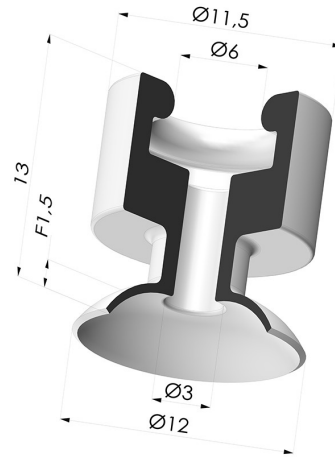


**TECHNICAL INFORMATION**

<b>Range :</b>	Suction cup
<b>Category :</b>	Plates
<b>Series :</b>	7PH
<b>Height (in mm) :</b>	13
<b>Shape :</b>	Plate
<b>Contact lip diameter :</b>	12 mm
<b>Top diameter :</b>	6 mm
<b>inner barrel diameter :</b>	6 mm
<b>Number of bellows :</b>	0.5 Bellows
<b>Horizontal force :</b>	5 N
<b>Vertical force :</b>	2.5 N
<b>Arrow :</b>	1.5 mm



**Variants:**



Variant reference:

**7PH 12NRR A**

- Color: Red
- Matter: Natural rubber
- Shore Hardness: SH60

**Related products:**



**Separable Male Fitting G1/8"**

Product reference: 9P18