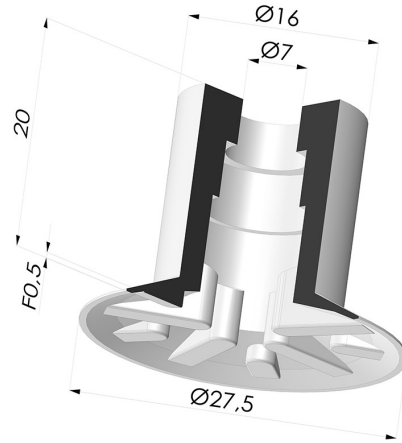


**TECHNICAL INFORMATION**

<b>Range :</b>	Suction cup
<b>Category :</b>	Plates
<b>Series :</b>	7
<b>Height (in mm) :</b>	20
<b>Shape :</b>	Plate
<b>Contact lip diameter :</b>	27 mm
<b>Top diameter :</b>	7 mm
<b>inner barrel diameter :</b>	7 mm
<b>Number of bellows :</b>	0.5 Bellows
<b>Horizontal force :</b>	27 N
<b>Vertical force :</b>	13.5 N
<b>Arrow :</b>	0.5 mm



**Variants:**



Variant reference:

**74 27NI A**

- Color: Black
- Matter: Nitrile
- Shore Hardness: SH50