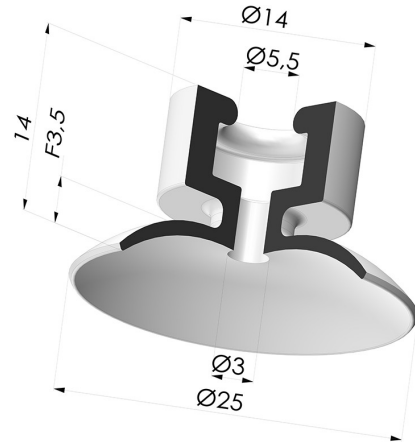


TECHNICAL INFORMATION

Range :	Suction cup
Category :	Plates
Series :	7PH
Height (in mm) :	14.5
Shape :	Plate
Contact lip diameter :	25 mm
Top diameter :	6 mm
inner barrel diameter :	5.5 mm
Number of bellows :	0.5 Bellows
Horizontal force :	22 N
Vertical force :	11 N
Arrow :	3.5 mm



Variants:



Variant reference:

7PH 25NRR A

- Color: Red
- Matter: Natural rubber
- Shore Hardness: SH60

Related products:



Separable Male Fitting G1/8"

Product reference: 9P18