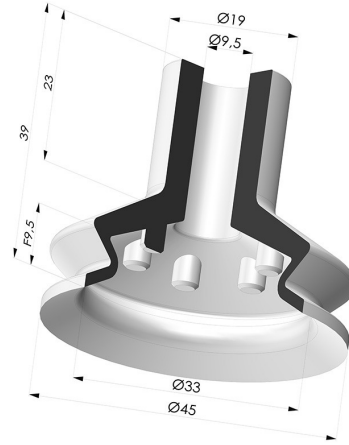


TECHNICAL INFORMATION

| | |
|--------------------------------|--------------|
| Range : | Suction cup |
| Category : | With bellows |
| Series : | 8 |
| Height (in mm) : | 39 |
| Shape : | 1.5 Bellows |
| Contact lip diameter : | 45 mm |
| inner barrel diameter : | 9.5mm |
| Number of bellows : | 1.5 Bellows |
| Horizontal force : | 72 N |
| Vertical force : | 36 N |
| Arrow : | 9.5 mm |



Variants:



Variant reference:
8 45CN A

- Color: Brown FDA food certified
- Matter: Natural rubber
- Shore Hardness: SH35



Variant reference:
8 45PU A

- Color: Blue
- Matter: Polyurethane
- Shore Hardness: SH60



Variant reference:
8 45NI A

- Color: Black
- Matter: Nitrile
- Shore Hardness: SH50