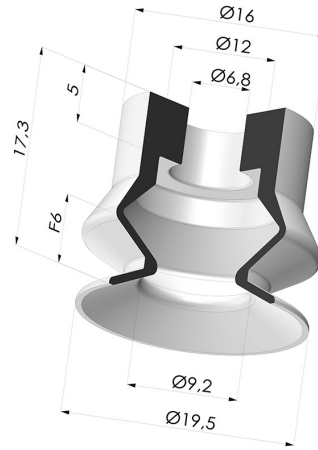


**TECHNICAL INFORMATION**

<b>Range :</b>	Suction cup
<b>Category :</b>	With bellows
<b>Series :</b>	8
<b>Height (in mm) :</b>	17.3
<b>Shape :</b>	1.5 Bellows
<b>Contact lip diameter :</b>	19.5 mm
<b>inner barrel diameter :</b>	6.8 mm
<b>Number of bellows :</b>	1.5 Bellows
<b>Horizontal force :</b>	12.5 N
<b>Vertical force :</b>	6.2 N
<b>Arrow :</b>	6 mm



**Variants:**



Variant reference:

**83 20TPE A**

- Color: Translucent
- CE food certified
- Matter: Polyurethane
- Shore Hardness: SH50



Variant reference:

**83 20TPU A**

- Color: Translucent
- Matter: Polyurethane
- Shore Hardness: SH70

**Related products:**



**Separable Male Fitting G1/8"**

Product reference: 9P18



**Screw M6 - Head Ø 12 mm - L 13 mm**

Product reference: M6T12L13