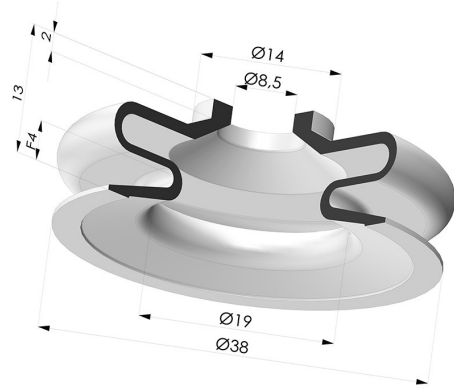


TECHNICAL INFORMATION

Range :	Suction cup
Category :	With bellows
Series :	8
Height (in mm) :	13
Shape :	1.5 Bellows
Contact lip diameter :	38 mm
inner barrel diameter :	8.5mm
Number of bellows :	1.5 Bellows
Horizontal force :	38 N
Vertical force :	19 N
Arrow :	4 mm



Variants:



Variant reference:
85 38NI A SH80

- Color: Black
- Matter: Nitrile
- Shore Hardness: SH80



Variant reference:
85 38NI A

- Color: Black
- Matter: Nitrile
- Shore Hardness: SH50