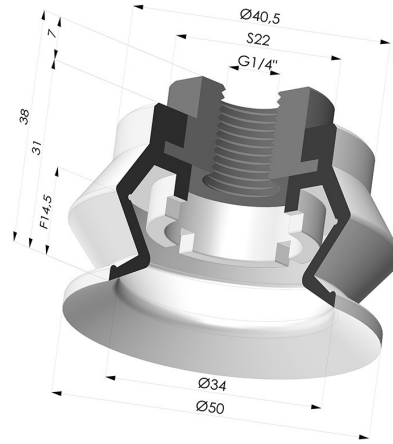
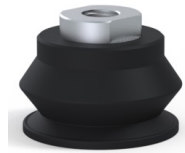


TECHNICAL INFORMATION

Range :	Suction cup
Category :	With bellows
Series :	8R
Height (in mm) :	38
Shape :	1.5 Bellows
Contact lip diameter :	50 mm
inner barrel diameter :	Female G1/4"
Number of bellows :	1.5 Bellows
Horizontal force :	89 N
Vertical force :	45 N
Arrow :	14.5 mm



Variants:

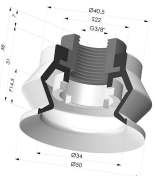


Variant reference:

8R 50NI F14

- Color: Black
- Matter: Nitrile
- Shore Hardness: SH50

Related products:



Bellows Suction Cup 1.5 folds Series 8R, Ø 50 mm

Product reference: 8R 50-- F38