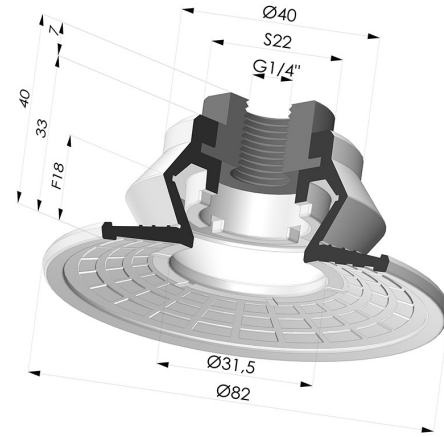


TECHNICAL INFORMATION

- Range :** Suction cup
Category : With bellows
Series : 8R
Height (in mm) : 40
Shape : 1.5 Bellows
Contact lip diameter : 85 mm
inner barrel diameter : Female G1/4"
Number of bellows : 1.5 Bellows
Horizontal force : 231 N
Vertical force : 115 N
Arrow : 18 mm



Variants:



Variant reference:

8R 85PU F14

- Color: Blue
- Matter: Polyurethane
- Shore Hardness: SH60

Material guide:

| | Material | Code | Temperature resistance (°C) | Flexibility | Abrasion resistance | UV/Weather resistance | Oil resistance | Food compatibility | Migration test |
|---|--------------------------------|------|-----------------------------|-------------|---------------------|-----------------------|----------------|--------------------|----------------|
|  | Polyurethane Blue (Shore SH60) | PU | -20/+80 | ✓ | ✓✓✓ | ✓✓ | ✓✓ | ✗ | ✗ |

Requests for FDA and/or EC certificates must be made AT THE TIME OF ORDER. Any later request will incur additional charges. To meet the expectations of our industrial customers, NOVACOM offers the widest range of elastomer and thermoplastic materials. We can also develop new materials based on precise specifications, in order to solve specific applications for our customers.

✓✓✓ Excellent | ✓✓ Good | ✓ Low | ✗ Poor | ✗✗ Not recommended
 *FDA and/or EC certificate may be requested for various references at the time of order; please contact us.
 ** Food contact certification: (EC) 1935/2004 - (FDA) 21 CFR 177.2600
 *** Food contact certification: (EC) 10/2011 - (FDA) 21 CFR