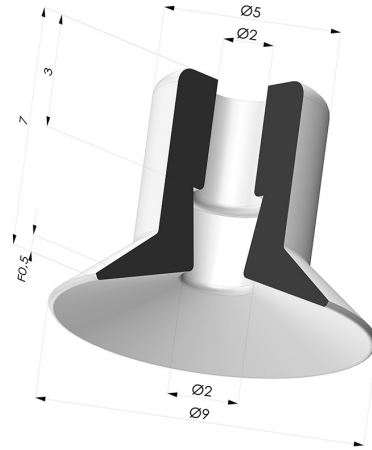


TECHNICAL INFORMATION

Range : Suction cup
Category : Plates
Series : 9
Height (in mm) : 7
Shape : Plate
Contact lip diameter : 9 mm
inner barrel diameter : 2 mm
Number of bellows : 0.5 Bellows
Horizontal force : 3 N
Vertical force : 1.5 N
Arrow : 0.5 mm



Variants:



Variant reference:
9 09NI A

- Color: Black
- Matter: Nitrile
- Shore Hardness: SH50



Variant reference:
9 09SL A

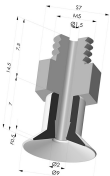
- Color: Red food-grade CE certification
- Matter: Silicone
- Shore Hardness: SH60



Variant reference:
9 09SLT A

- Color: Translucent
- CE food certified
- Matter: Silicone
- Shore Hardness: SH60

Related products:



Flat Suction Cup Series 9, Ø 9 mm

Product reference: 9 09-- M5



Separable Male Fitting M5

Product reference: 9PM5