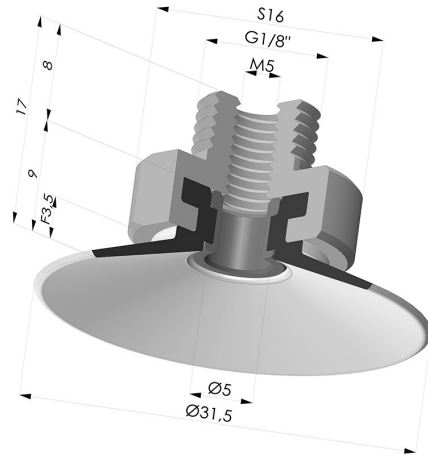


**TECHNICAL INFORMATION**

<b>Range :</b>	Suction cup
<b>Category :</b>	Plates
<b>Series :</b>	9
<b>Height (in mm) :</b>	17
<b>Shape :</b>	Plate
<b>Contact lip diameter :</b>	31.5 mm
<b>inner barrel diameter :</b>	Male G1/8"
<b>Number of bellows :</b>	0.5 Bellows
<b>Horizontal force :</b>	32 N
<b>Vertical force :</b>	16 N
<b>Arrow :</b>	3.5 mm



**Variants:**



Variant reference:

**9 30NI M18**

- Color: Black
- Matter: Nitrile
- Shore Hardness: SH50



Variant reference:

**9 30SL M18**

- Color: Red food-grade CE certification
- Matter: Silicone
- Shore Hardness: SH60

**Related products:**

**Flat Suction Cup Series 9, Ø 30 mm**  
 Product reference: 9 30-- A

**Crimped Male Fitting 1/8G**  
 Product reference: 9P18A

**Rivet for Fitting 9P18A - Aluminium**  
 Product reference: 9P18A RIV