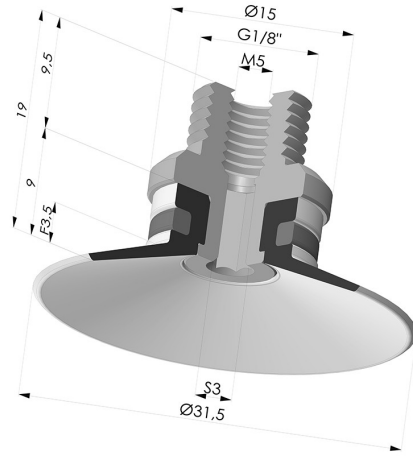


TECHNICAL INFORMATION

- Range :** Suction cup
Category : Plates
Series : 9
Height (in mm) : 19
Shape : Plate
Contact lip diameter : 31.5 mm
inner barrel diameter : Male G1/8"
Number of bellows : 0.5 Bellows
Horizontal force : 32 N
Vertical force : 16 N
Arrow : 3.5 mm



Variants:



- Variant reference:
9 30NI M18D
- Color: Black
 - Matter: Nitrile
 - Shore Hardness: SH50



- Variant reference:
9 30SLT M18D
- Color: Translucent
 - CE food certified
 - Matter: Silicone
 - Shore Hardness: SH60

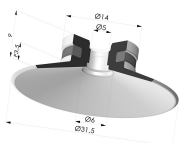
Material guide:

	Material	Code	Temperature resistance (°C)	Flexibility	Abrasion resistance	UV/Weather resistance	Oil resistance	Food compatibility	Migration test
	Nitrile Black (Shore SH50)	NI	-10/+80	✓	✓	✗	✓✓	✗	✗
	Silicone Translucent (Shore SH60)	SL T	-60/+250	✓✓✓	✓	✓✓✓	✓	FDA **	✗

Requests for FDA and/or EC certificates must be made AT THE TIME OF ORDER. Any later request will incur additional charges. To meet the expectations of our industrial customers, NOVACOM offers the widest range of elastomer and thermoplastic materials. We can also develop new materials based on precise specifications, in order to solve specific applications for our customers.

Excellent | Good | Low | Poor | Not recommended
 *FDA and/or EC certificate may be requested for various references at the time of order; please contact us.
 ** Food contact certification: (EC) 1935/2004 - (FDA) 21 CFR 177.2600
 *** Food contact certification: (EC) 10/2011 - (FDA) 21 CFR

Related products:



Flat Suction Cup Series 9, Ø 30 mm
 Product reference: 9 30-- A



Separable Male Fitting G1/8"
 Product reference: 9P18