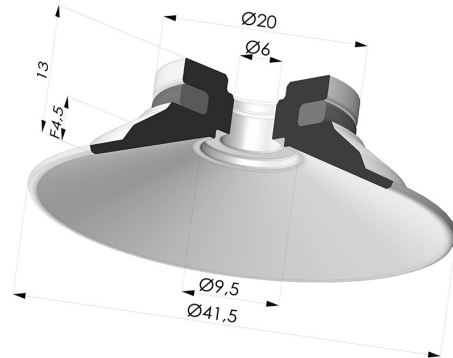


TECHNICAL INFORMATION

- Range :** Suction cup
Category : Plates
Series : 9
Height (in mm) : 13
Shape : Plate
Contact lip diameter : 41.5 mm
inner barrel diameter : 6 mm
Number of bellows : 0.5 Bellows
Horizontal force : 57.5 N
Vertical force : 29 N
Arrow : 4.5 mm



Variants:



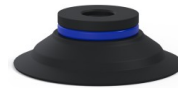
Variant reference:
9 40SL A

- Color: Red food-grade CE certification
 - Matter: Silicone
- Shore Hardness: SH60



Variant reference:
9 40SLT A

- Color: Translucent
 - CE food certified
 - Matter: Silicone
- Shore Hardness: SH60



Variant reference:
9 40NI A

- Color: Black
 - Matter: Nitrile
- Shore Hardness: SH50

Related products:

Flat Suction Cup Series 9, Ø 40 mm
Product reference: 9 40-- 18

Flat Suction Cup Series 9, Ø 40 mm
Product reference: 9 40-- 14D-2

Flat Suction Cup Series 9, Ø 40 mm
Product reference: 9 40-- 14D-2-F

Flat Suction Cup Series 9, Ø 40 mm
Product reference: 9 40-- 14D-2-GIC

Flat Suction Cup Series 9, Ø 40 mm
Product reference: 9 40-- 14D-2-PAL

Flat Suction Cup Series 9, Ø 40 mm
Product reference: 9 40-- 18D-2

Flat Suction Cup Series 9, Ø 40 mm
Product reference: 9 40-- 18D-2-F

Flat Suction Cup Series 9, Ø 40 mm
Product reference: 9 40-- 18D-2-GIC

Flat Suction Cup Series 9, Ø 40 mm
Product reference: 9 40-- 18D-2-PAL

Flat Suction Cup Series 9, Ø 40 mm
Product reference: 9 40-- 18D-3-BD

Flat Suction Cup Series 9, Ø 40 mm
Product reference: 9 40-- 38D-2

Flat Suction Cup Series 9, Ø 40 mm
Product reference: 9 40-- 38D-2-F

Flat Suction Cup Series 9, Ø 40 mm
Product reference: 9 40-- 38D-2-GIC

Flat Suction Cup Series 9, Ø 40 mm
Product reference: 9 40-- 38D-2-PAL