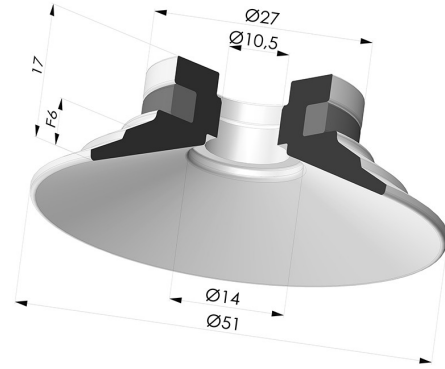


TECHNICAL INFORMATION

- Range :** Suction cup
Category : Plates
Series : 9
Height (in mm) : 17
Shape : Plate
Contact lip diameter : 51 mm
inner barrel diameter : 10.5 mm
Number of bellows : 0.5 Bellows
Horizontal force : 88 N
Vertical force : 44 N
Arrow : 6 mm



Variants:



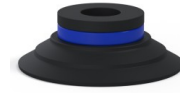
Variant reference:
9 50SL A

- Color: Red food-grade CE certification
 - Matter: Silicone
- Shore Hardness: SH60



Variant reference:
9 50SLT A

- Color: Translucent
 - CE food certified
 - Matter: Silicone
- Shore Hardness: SH60



Variant reference:
9 50NI A

- Color: Black
 - Matter: Nitrile
- Shore Hardness: SH50

Related products:

Flat Suction Cup Series 9, Ø 50 mm
Product reference: 9 50-- 18

Flat Suction Cup Series 9, Ø 50 mm
Product reference: 9 50-- 14D-2

Flat Suction Cup Series 9, Ø 50 mm
Product reference: 9 50-- 14D-2-F

Flat Suction Cup Series 9, Ø 50 mm
Product reference: 9 50-- 14D-2-GIC

Flat Suction Cup Series 9, Ø 50 mm
Product reference: 9 50-- 14D-2-PAL

Flat Suction Cup Series 9, Ø 50 mm
Product reference: 9 50-- 18D-2

Flat Suction Cup Series 9, Ø 50 mm
Product reference: 9 50-- 18D-2-F

Flat Suction Cup Series 9, Ø 50 mm
Product reference: 9 50-- 18D-2-GIC

Flat Suction Cup Series 9, Ø 50 mm
Product reference: 9 50-- 18D-2-PAL

Flat Suction Cup Series 9, Ø 50 mm
Product reference: 9 50-- 18D-3-BD

Flat Suction Cup Series 9, Ø 50 mm
Product reference: 9 50-- 38D-2

Flat Suction Cup Series 9, Ø 50 mm
Product reference: 9 50-- 38D-2-F

Flat Suction Cup Series 9, Ø 50 mm
Product reference: 9 50-- 38D-2-GIC

Flat Suction Cup Series 9, Ø 50 mm
Product reference: 9 50-- 38D-2-PAL