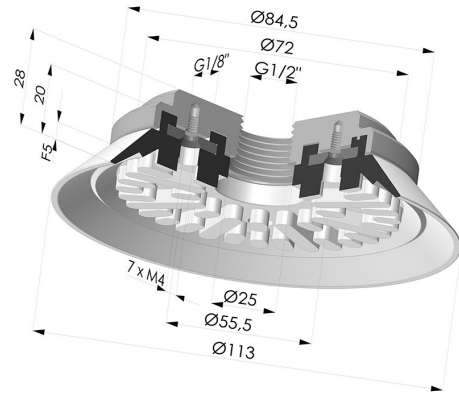


**TECHNICAL INFORMATION**

<b>Range :</b>	Suction cup
<b>Category :</b>	Plates
<b>Series :</b>	90
<b>Height (in mm) :</b>	28
<b>Shape :</b>	Plate
<b>Contact lip diameter :</b>	113 mm
<b>inner barrel diameter :</b>	Female G1/2"
<b>Number of bellows :</b>	0.5 Bellows
<b>Horizontal force :</b>	420 N
<b>Vertical force :</b>	210 N
<b>Arrow :</b>	5 mm



**Variants:**



Variant reference:

**90 110NI F12**

- Color: Black
- Matter: Nitrile
- Shore Hardness: SH50



Variant reference:

**90 110SLT F12**

- Color: Translucent
- CE food certified
- Matter: Silicone
- Shore Hardness: SH60

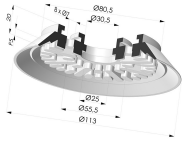


Variant reference:

**90 110TPU F12**

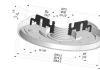
- Color: Translucent
- Matter: Thermoplastic
- Shore Hardness: SH70

**Related products:**



**Flat Suction Cup Series 90, Ø 110 mm**

Product reference: 90 110-- A



**Crimped Female Fitting 1/2G**

Product reference: 9TG12A